



# Mapeband TPE

## TPE tape for flexible sealing and waterproofing expansion joints and over cracks subject to movement



### WHERE TO USE

Waterproofing expansion joints in road-works, tunnels, hydraulic works and covering areas subject to movement up to 5 or 10 mm, using **Mapeband TPE 170** or **Mapeband TPE 325** respectively.

### Some typical application examples:

- Flexible waterproofing seal of expansion joints subject to large amounts of movement in service.
- Flexible waterproofing seals in tunnels, road-works, etc.
- Sealing expansion joints in prefabricated panels.
- Sealing structural joints in façades.
- Sealing joints in hydraulic works, such as channels, basins, drains, pipe-work, etc.
- Waterproofing joints in road-works.
- Waterproofing expansion joints in flat covering layers.

### TECHNICAL CHARACTERISTICS

**Mapeband TPE** consists of either 17 cm or 32.5 cm wide tape, called respectively **Mapeband TPE 170** and **Mapeband TPE 325**, 1.2 mm thick, sidelong reinforced with polyester non-woven fabric. **Mapeband TPE** must be applied by bonding with **Adesilex PG4** two-component, low viscosity, thixotropic epoxy adhesive.

TPE, short for “Elastomeric Thermoplastic Polyolefine”, is the name given to a special group of polyolefines

which combine the best properties of thermoplastic polymers and synthetic elastomer technology.

**Mapeband TPE** may be hot-welded with a Leister electronic hot air blower.

**Mapeband TPE** may be also joined by using the “cold-weld” technique by applying a contact adhesive, such as **Adesilex LP** solvented, poly-chloroprene adhesive, to both surfaces. This technique makes it easy to form linear joints or to create special pieces with the tape, to guarantee the waterproof integrity of the entire system. The tape remains permanently flexible and deformable even at low temperatures and, furthermore, it is resistant to ageing even if exposed to atmospheric agents and UV rays.

The composition of **Mapeband TPE** gives it excellent resistance to alkalis, bitumen, diluted lye, slightly acidic solutions and salt solutions.

### RECOMMENDATIONS

- Do not use **Mapeband TPE** if it will come into contact with mineral oil, petrol or strong solvents (ketones, esters and hydrocarbons).
- Do not lay **Mapeband TPE** on surfaces which are not perfectly clean, dry or which are irregular.
- Protect **Mapeband TPE** against perforation.

### APPLICATION PROCEDURE

#### Preparation of the substrate

Surfaces on which **Mapeband TPE** is to be applied must be free from oil, grease and paint and must be free

# Mapeband TPE



Fig. 1

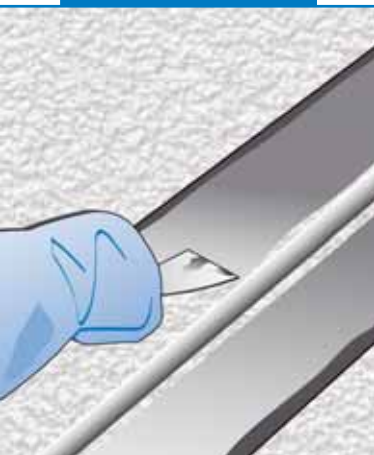


Fig. 2



Fig. 3

from dust and areas which are either uneven or loose.

Paintwork or toppings must be removed by sandblasting or with a sanding disc. This operation is indispensable if the surfaces have been treated with polyester, epoxy or polyurethane resin or if it is made from glassy material.

If **Mapeband TPE** is to be applied on metallic surfaces, remove all traces of rust, paint, grease, etc. by sandblasting down to bare metal.

When **Mapeband TPE** is applied, the surface must be perfectly dry.

To obtain a joint with a clean, well-defined profile, apply masking tape around the outside surface of the joint, in order to obtain an area which is 1 cm wider than the width of the TPE tape to be spread with adhesive (fig. 1). After laying, bonding and finishing off with a trowel, remove the masking tape.

### Products to use for bonding

**Adesilex PG4**, two component, low viscosity, thixotropic epoxy adhesive.

### Preparation of Adesilex PG4 adhesive

The two components which make up **Adesilex PG4** must be mixed together.

Pour component B (white-coloured catalyst) into component A (grey) and mix together with a low-speed drill fitted with a mixing attachment until a homogenous mix is obtained (uniform grey colour).

The packages are pre-dosed. Therefore, do not use only partial quantities of the two components in order to avoid errors when calculating the mixing ratio; this could lead to poor or incomplete hardening of the product. If only partial quantities of the components are used, use a high-precision electronic balance.

For further details, please consult the relevant technical data sheet.

### Bonding the product

Firstly apply a 1-2 mm-thick uniform layer of **Adesilex PG4** onto the clean, dry substrate with a smooth spatula; avoid applying the adhesive inside the joint (fig. 2).

Lay **Mapeband TPE** by pressing lightly along the non-woven sides of the tape. Make sure that all wrinkles and creases are eliminated and that air bubbles are not formed (fig. 3).

Apply a second layer of **Adesilex PG4** while the first one is still fresh, completely covering the fabric strip with the new layer of adhesive (fig. 4). Smooth off the product with a flat trowel.

Once the second layer of **Adesilex PG4** has been applied, sprinkle on a layer of **0.5 Quartz** to create a rough surface and slowly remove the masking tape (fig. 5).



Fig. 4

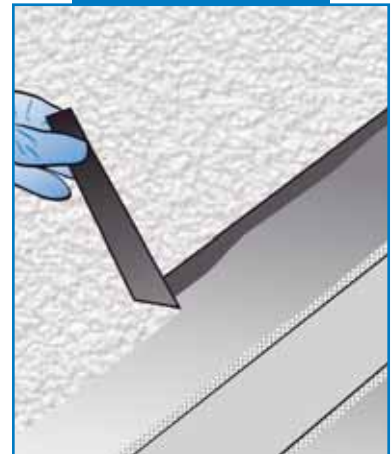


Fig. 5

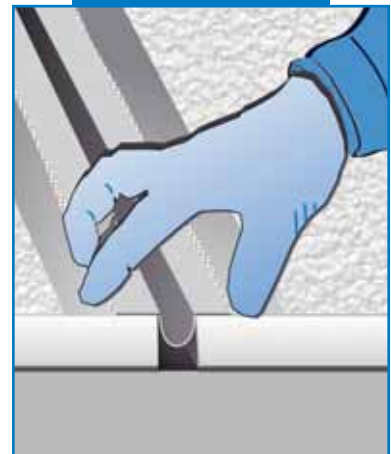


Fig. 6

## TECHNICAL DATA (typical values)

### PRODUCT IDENTITY

<b>Colour:</b>	grey
<b>Sizes available:</b>	17 cm ( <b>Mapeband TPE 170</b> ) 32.5 cm ( <b>Mapeband TPE 325</b> )
<b>Width of expansion area (mm):</b> – Mapeband TPE 170: – Mapeband TPE 325:	50 165
<b>Thickness (EN 1849-2) (mm):</b>	1.2
<b>Customs class:</b>	3921 90 90

### FINAL PERFORMANCES

<b>Breakage strength (EN ISO 527-1) (N/mm<sup>2</sup>):</b>	> 4.5
<b>Elongation at breakage (EN ISO 527-1) (%):</b>	> 650
<b>Low-temperature bending (SIA V280/3) (°C):</b>	< -30
<b>Resistance to atmospheric agents and ultraviolet rays (SIA V280/10) (h):</b>	> 5000
<b>Resistance to roots (SIA V280/11):</b>	no root penetration
<b>Inflammability class (DIN 4102/1):</b>	B2
<b>Waterproofing level (EN 1928-B) (N/mm<sup>2</sup>):</b>	≤ 0.6
<b>Water vapour diffusion resistance coefficient (SIA V280/6) (μ):</b>	approx. 30000
<b>Perforation resistance (SIA C280/15) (500 g from dropped height) (mm):</b>	> 500
<b>Resistance to temperature:</b>	from -20°C to +80°C
<b>Maximum elongation of expansion zone (mm):</b> – Mapeband TPE 170: – Mapeband TPE 325:	5 10

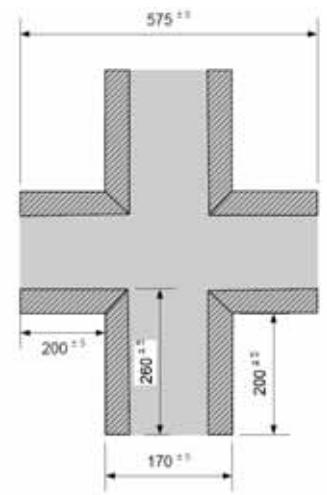


Fig. 7  
Mapeband TPE 170  
Cross

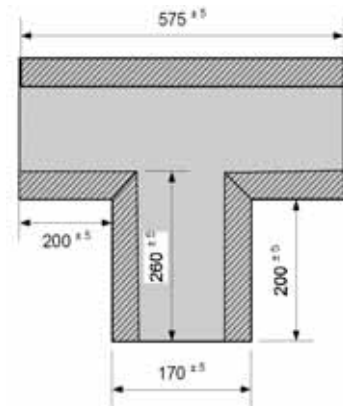


Fig. 8  
Mapeband TPE 170 T

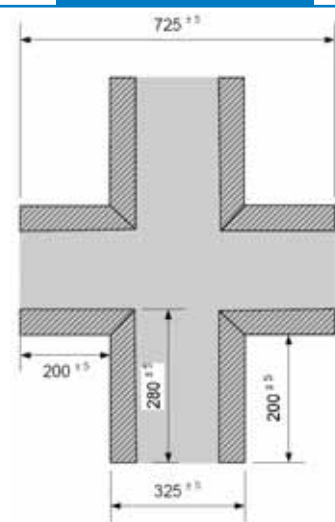


Fig. 9  
Mapeband TPE 325  
Cross

**Mapeband TPE** must be protected against damage (e.g. perforation) during the application process.

If high levels of movement are foreseen, **Mapeband TPE** must be laid by forming an upside-down “Ω” (omega) shape on the inside of the joint.

Butt joints between two strips of **Mapeband TPE** must be carried out by overlapping and bonding at least 5 cm of the central part in TPE by either hot-welding or cold-welding, as illustrated previously.

In correspondence with T or cross joints, use the special **Mapeband TPE T** or **Mapeband TPE Cross** profiles, available in sizes 17 cm and 32.5 cm.

To make the welding of the parts in TPE easier and firmer, press lightly with a flat carpeting roller (fig. 9).

### PACKAGING

**Mapeband TPE** is supplied in boxes and is available in two sizes:

- **Mapeband TPE 170** (width 17 cm):  
30 m x 17 cm rolls;
- **Mapeband TPE 325** (width 32.5 cm):  
30 m x 32.5 cm rolls.

FOR PROFESSIONALS.

### WARNING

While the indications and guidelines contained in this data sheet correspond to

# Mapeband TPE

the company's knowledge and wide experience, they must be considered, under all circumstances, merely as an indication and subject to confirmation only after long-term, practical application. Therefore, anybody who undertakes to use this product, must ensure beforehand that it is suitable for the intended application and, in all cases, the user is to be held responsible for any consequences deriving from its use.

Please refer to the current version of the Technical Data Sheet, available from our web site [www.mapei.com](http://www.mapei.com)

**All relevant references for the product are available upon request and from [www.mapei.com](http://www.mapei.com)**

(GB) / A.G. BETA

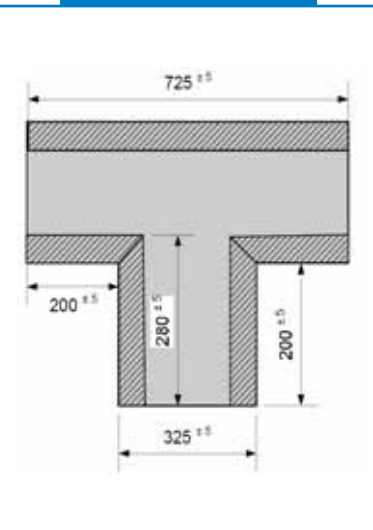


Fig. 10  
Mapeband TPE 325 T



Any reproduction of texts, photos and illustrations published here is prohibited and subject to prosecution

2033-11-2010